

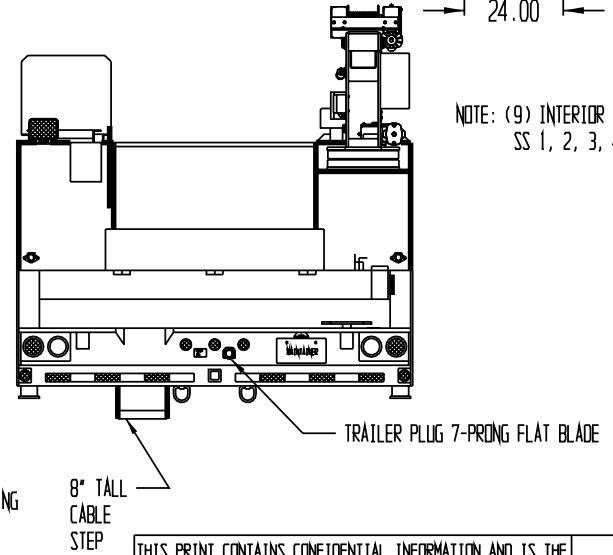
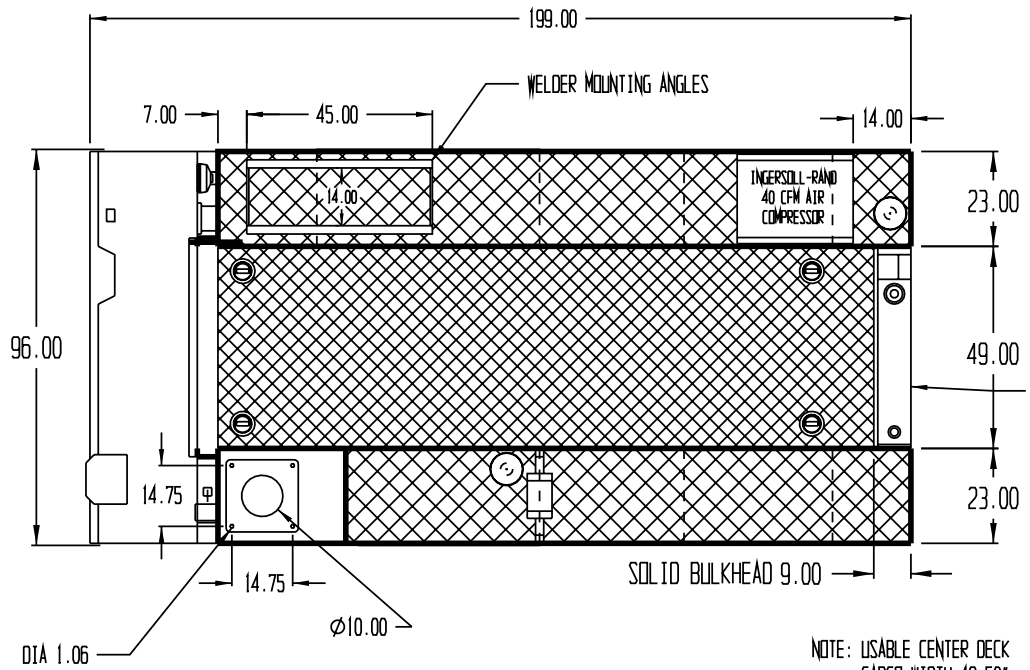
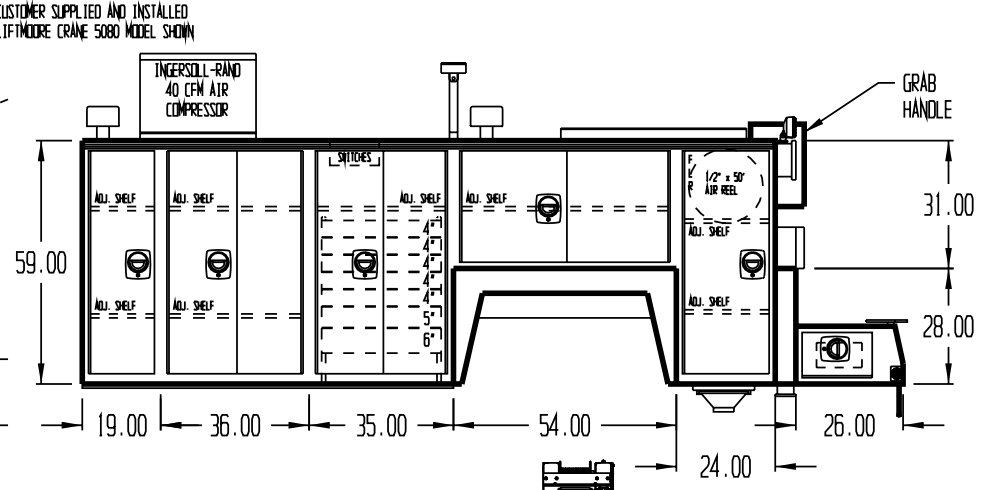
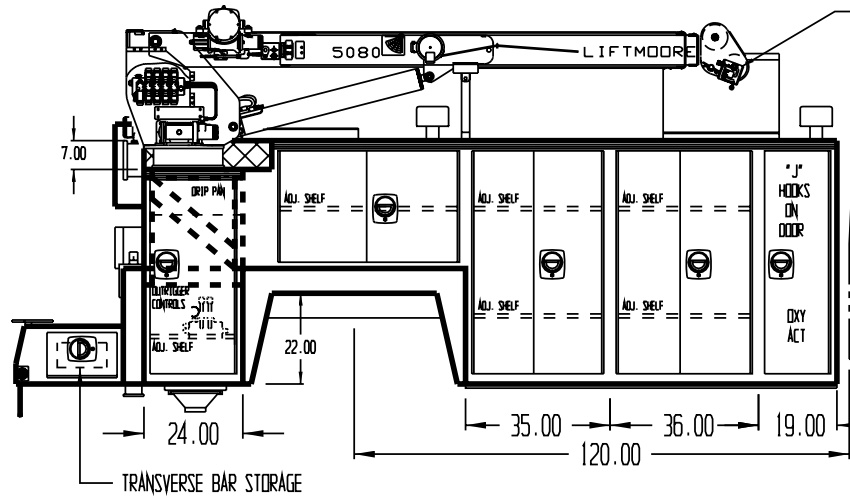
APPROVED BY: _____

DATE: _____

PAINT CODE: N0007 WHITE 911003

WELDER TYPE _____

MILLER BOBCAT 250



NOTE: (9) INTERIOR PETERSON LIGHTS #391 SS 1, 2, 3, 4, 5 & CS 2, 3, 4, 5

NOTE: USABLE CENTER DECK CARGO WIDTH 48.50"

NOTE: 8" SILLS & 4" X-MEMBERS

PLEASE REPORT ANY ERRORS FOUND ON THIS PRINT

THIS PRINT CONTAINS CONFIDENTIAL INFORMATION AND IS THE SOLE PROPERTY OF MAINTAINER CORP. OF IOWA INC. AND IS NOT TO BE COPIED OR REPRODUCED WITHOUT THE EXPRESSED WRITTEN PERMISSION OF MAINTAINER CORP. OF IOWA INC.		PROPRIETARY DATA PROPERTY OF MAINTAINER CORPORATION OF IOWA, INC.	
MATERIAL:		COPYRIGHT © 2001	
MATERIAL:		Thaintainer	
SCALE: 1:32		Corporation of Iowa, Inc.	
SIZE: B		P.O. Box 349 1701 S. 2nd Avenue	
DRAWING NUMBER: Y313		Sheldon, Iowa 51201	
DFTM. KJB		DATE: 5-16-07	
MADE IN THE USA		MTS-2-120 HOLISTON AUTOMOTIVE GROUP	